

MOBILE HOME OR CENTRAL METER POLE SERVICE

SINGLE PHASE, 120/240 VOLTS, THREE WIRE, 100 AMP. MINIMUM

GENERAL NOTES

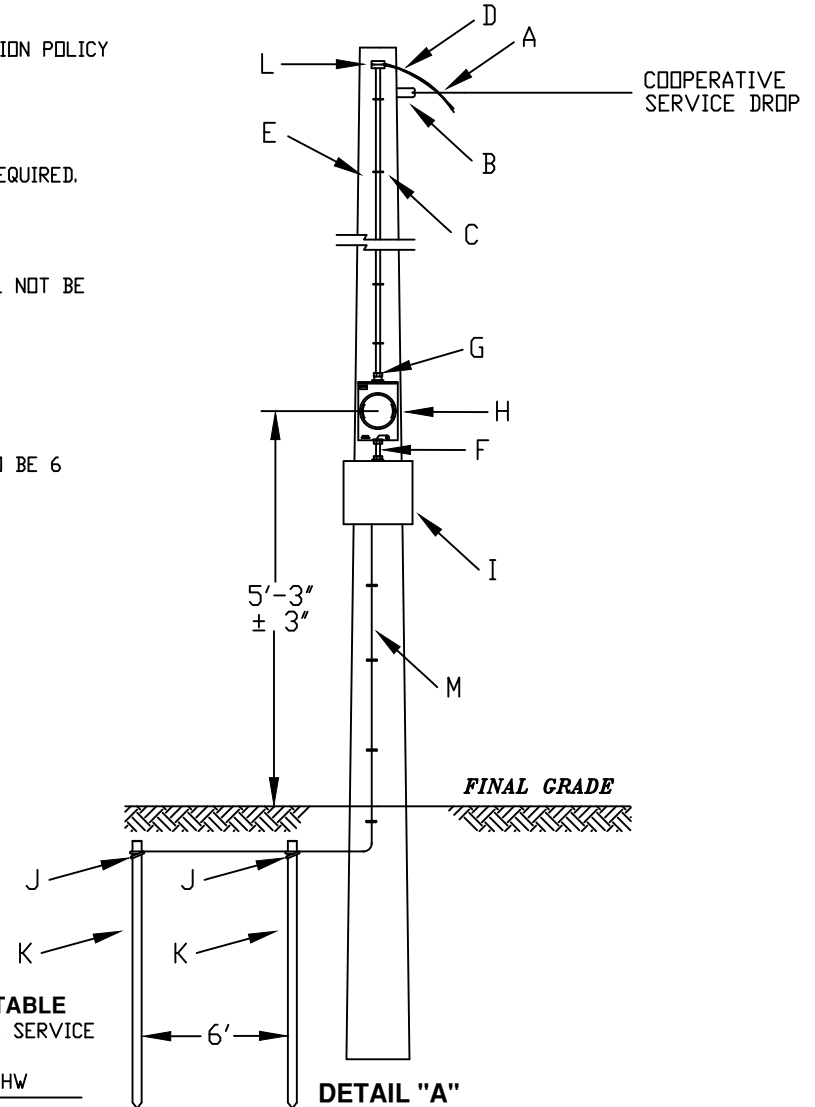
- ① ALL SERVICE ENTRANCE EQUIPMENT TO BE INSTALLED ON POLE BY MEMBER.
- ② COOPERATIVE WILL SUPPLY THE POLE AND INSTALL SERVICE WIRE ACCORDING TO THE LINE EXTENSION POLICY FROM TRANSFORMER POLE TO METER POLE.
- ③ COOPERATIVE SUPPLIED MATERIAL REMAINS PROPERTY OF COOPERATIVE.
- ④ ALL WIRING TO BE IN ACCORDANCE WITH NATIONAL ELECTRIC CODE.
- ⑤ FINAL CONNECT IS SUBJECT TO WIRING INSPECTION FROM LOCAL GOVERNMENTAL AUTHORITY WHERE REQUIRED.
- ⑥ DRIVEN GROUND ROD MAY BE 5/8 INCH BY 8 FEET COPPERCLAD ROD, OR 5/8 INCH BY 8 FEET SOLID GALVANIZED ROD, INSTALLED 1 FOOT BELOW GROUND LEVEL.
- ⑦ THE SERVICE GROUNDING CONDUCTOR (BARE COPPER WIRE) SHALL BE CONTINUOUS AND TIED TO THE NEUTRAL CONDUCTOR IN THE SERVICE DISCONNECT (FUSED/BREAKER DISCONNECT) AND SHALL NOT BE IN OR ROUTED THROUGH THE METER SOCKET.
- ⑧ ALUMINUM ELECTRICAL JOINT COMPOUND SHALL BE APPLIED TO ALL ALUMINUM CONDUCTORS BEFORE INSTALLING IN TERMINALS OF METER BASE, AS PER N.E.C CODE
- ⑨ COOPERATIVE TO DETERMINE POLE LOCATION.
- ⑩ MEMBER SHALL PROVIDE COOPERATIVE APPROVED METER BASE.
- ⑪ WEATHERHEAD TO BE MOUNTED 3 INCHES FROM THE TOP OF THE POLE. COOPERATIVE ATTACHMENT TO BE 6 INCHES BELOW WEATHERHEAD.
- ⑫ ALL WIRING ACCORDING TO NEC

DETAIL "A" NOTES

- Ⓐ COOPERATIVE WILL MAKE CONNECTION BETWEEN MEMBER SERVICE ENTRANCE CABLE AND COOPERATIVE SERVICE LINE.
- Ⓑ CLEVIS WIREHOLDER
- Ⓒ CLAMPS (NO MORE THAN 12 INCHES FROM BOTTOM OF WEATHERHEAD AND NO MORE THAN 12 INCHES FROM TOP OF METER BASE.) AT MIN. 30 INCHES SPACING.
- Ⓓ SERVICE ENTRANCE CABLE ALLOW 3 FEET OF EXTRA WIRE AT TOP OF POLE.
- Ⓔ SERVICE POLE (COOP. SUPPLIED)
- Ⓕ CONDUIT OR ENTRANCE CABLE BETWEEN METER BASE AND SERVICE DISCONNECT.
- Ⓖ WEATHER PROOF BOX CONNECTIONS (ALL MATERIAL MUST BE MOUNTED ON SAME SIDE OF POLE)
- Ⓗ METER BASE IS SUPPLIED BY THE MEMBER AND APPROVED BY THE COOPERATIVE
- Ⓘ WEATHER PROOF SERVICE DISCONNECT EQUIPMENT UL APPROVED WITH FUSED DISCONNECT SWITCH OR BREAKER.
- Ⓝ GROUND CLAMP
- Ⓚ 2 x GROUND ROD x 8 FEET DEEP, 6 FOOT SEPARATION SEE NOTE 6
- Ⓛ WEATHERHEAD
- Ⓜ GROUND WIRE - STAPELED TO POLE EVERY 4 INCHES.

SERVICE ENTRANCE WIRE SIZE TABLE
THREE-WIRE-SINGLE PHASE, RESIDENTIAL SERVICE
CONDUCTOR TYPES AND SIZES
RH-RHH-RHW-THW-THWN-THHN-XHHW

BARE COPPER GROUND WIRE	COPPER AWG	ALUMINUM AND COPPER-CLAD AL. AWG	SERVICE IN AMPERES
6	4	2	100
4	3/0	4/0	200



**CALL: OHIO UTILITIES PROTECTION SERVICE
BEFORE YOU DIG. 1-800-362-2764**

DATE: 5/9/24

CHK BY: JEF

DWN BY: JME

SCALE:

NOTES:

**METER POLE
INSTALLATION**

