

# UNDERGROUND TEMPORARY SERVICE

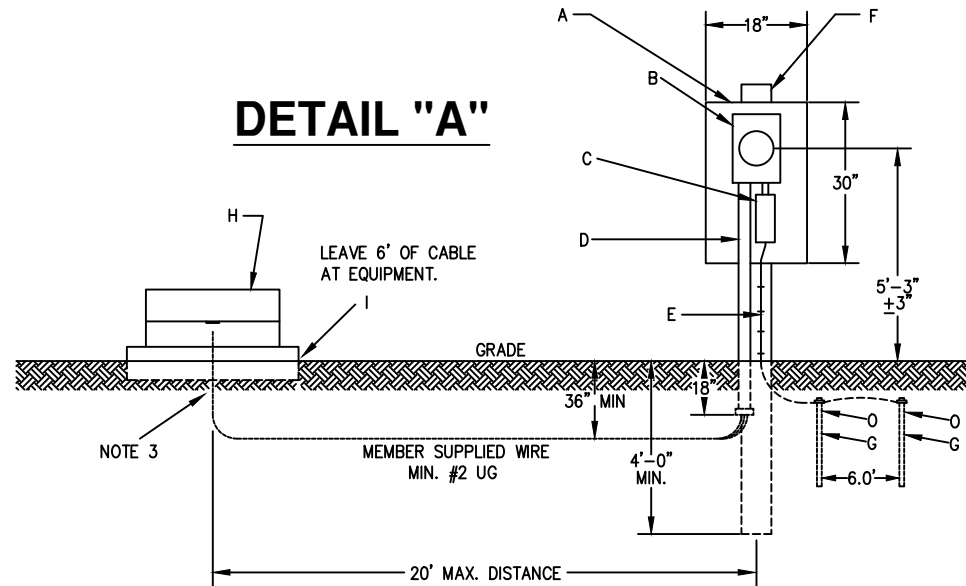
## DETAIL "A" NOTES

- |   |  |
|---|--|
| (A) 1/2" MIN. BOARD TREATED.              | (E) GROUNDING ELECTRODE CONDUCTOR (NOTE 3)           |
| (B) METER SOCKET SEE NOTES 1 AND 5        | (F) 4"x4" TIMBER (NOMINAL) TREATED. SEE NOTE 2.      |
| (C) SERVICE ENTRANCE EQUIPMENT SEE NOTE 6 | (G) 8'-0"(MIN) GROUND ELECTRODE (5/8" COPPER CLAD).  |
| (D) LINE CONDUIT. MIN. 2". SEE NOTE 8     | (H) WIRE SECONDARY PEDISTAL OR PAD MOUNT TRANSFORMER |
|   | (I) TRENCH TO EDGE OF COOPERATIVE'S EQUIPMENT        |
|   | (O) GROUND ROD CLAMP                                 |

## GENERAL NOTES

- ① MEMBER TO PROVIDE METER BASE FOR TEMPORARY SERVICE, DO NOT WIRE THRU BACK OF METER BASE. METER BASE TO BE SECURELY MOUNTED BY MEMBER IN A LEVEL POSITION. MEMBER TO FURNISH AND INSTALL CONDUIT AND ALL OTHER EQUIPMENT, INCLUDING SERVICE AND GROUNDING FACILITIES.
- ② THE POST TO BE INSTALLED AT A LOCATION TO BE DESIGNATED BY COOPERATIVE. THE POST SHALL NOT BE LOCATED IN LINE WITH THE PROPOSED PERMANENT UNDERGROUND SERVICE.
- ③ THE SERVICE GROUNDING CONDUCTOR (BARE COPPER WIRE) SHALL BE CONTINUOUS AND TIED TO THE NEUTRAL CONDUCTOR IN THE SERVICE DISCONNECT (FUSED/BREAKER DISCONNECT) OR MAIN SERVICE PANEL IF THE DISCONNECT IS AN EMERGENCY DISCONNECT (SOLID-BLADE DISCONNECT). AND SHALL NOT BE IN OR ROUTED THROUGH THE METER BASE.
- ④ CONNECTION OF MEMBER CONDUCTORS TO COOPERATIVE FACILITIES SHALL BE THE RESPONSIBILITY OF COOPERATIVE.
- ⑤ ALUMINUM ELECTRICAL JOINT COMPOUND SHALL BE APPLIED TO ALL ALUMINUM CONDUCTORS BEFORE INSTALLING IN TERMINALS OF METER BASE.
- ⑥ WEATHER-PROOF (OR COVERED) SERVICE ENTRANCE EQUIPMENT UL LISTED WITH FUSED DISCONNECT SWITCH OR CIRCUIT BREAKER.
- ⑦ COOPERATIVE TO DESIGNATE LOCATION OF TRENCH FOR SERVICE INSTALLATION. MEMBER WILL BE REQUIRED TO TRENCH AND BACKFILL.
- ⑧ LINE CONDUIT MAY BE GALVANIZED RIGID STEEL OR RIGID NONMETALLIC CONDUIT (PVC) LISTED FOR THE USE (SCHEDULE 80) EMT OR IMC SHALL NOT BE USED FOR LINE CONDUIT.
- ⑨ FINAL CONNECT IS SUBJECT TO WIRING INSPECTION FROM LOCAL GOVERNMENTAL AUTHORITY WHERE REQUIRED.

**CALL: OHIO UTILITIES PROTECTION SERVICE  
BEFORE YOU DIG. 1-800-362-2764**

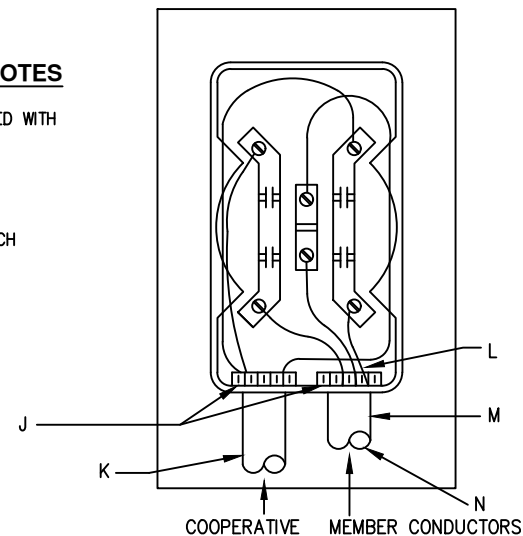


## WIRING DETAIL

( MEMBER TO SUPPLY METER BASE )

## WIRING DETAIL NOTES

- (J) INSULATED BUSHINGS USED WITH CONDUIT.
- (K) LINE CONDUIT
- (L) CONDUCTOR
- (M) CONDUIT NIPPLE TO SWITCH
- (N) LOAD CONDUIT



DATE: 5/9/24

CHK BY: JEF

DWN BY: JME

SCALE: NA

NOTES:

UNDERGROUND TEMPORARY  
SERVICE INSTALLATION

