

MINIMUM REQUIREMENTS: METER LOCATION ON HOUSE SINGLE PHASE, 120/240 VOLTS, 3 WIRE SE ENTRANCE CABLE, 100 AMP. MINIMUM..

GENERAL NOTES

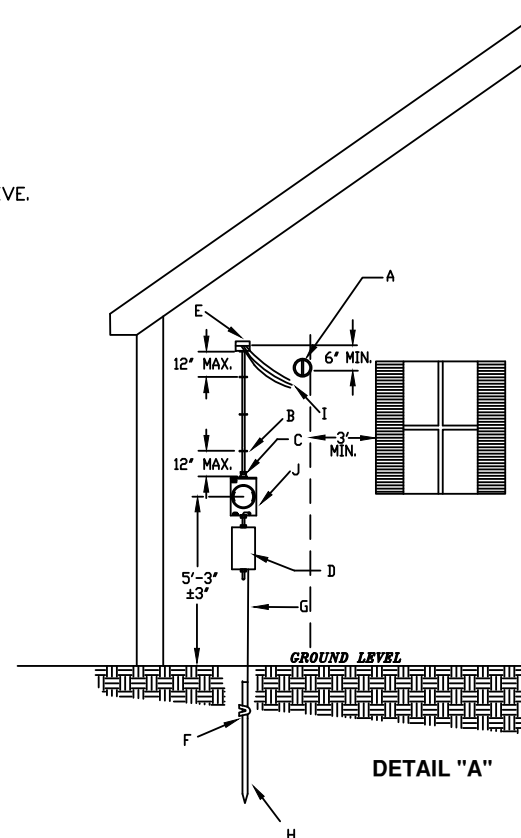
- ① COOPERATIVE WILL SUPPLY AND INSTALL SERVICE WIRES IN ACCORDANCE WITH THE LINE EXTENSION POLICY FROM THE COOPERATIVE POLE TO THE HOUSE. ALL MATERIAL SUPPLIED BY COOPERATIVE REMAINS PROPERTY OF COOPERATIVE.
- ② MEMBER TO SUPPLY COOPERATIVE APPROVED METER BASE.
- ③ ALL SERVICE ENTRANCE EQUIPMENT TO BE SUPPLIED AND INSTALLED ON HOUSE BY MEMBER. LOCATE WEATHERHEAD ABOVE POINT OF ATTACHMENT OF SERVICE DROP TO BUILDING, CONDUCTORS TO EXTEND AT LEAST 3' FEET BEYOND WEATHER HEAD FOR CONNECTIONS.
- ④ THE MAIN SERVICE FUSED DISCONNECTING SWITCH SHALL BE INSTALLED AT THE FIRST ACCESSIBLE POINT OF ENTRANCE INTO THE STRUCTURE. THE MAXIMUM FOOTAGE FROM THE POINT OF ENTRANCE SHALL BE 3' FOOT OR LESS. (SEE "D" NOTE)
- ⑤ ELECTRICAL JOINT COMPOUND SHALL BE APPLIED TO ALL ALUMINUM CONDUCTORS BEFORE INSTALLING IN TERMINALS OF METER BASE. AS PER N.E.C CODE
- ⑥ HEIGHT OF WEATHERHEAD SHALL BE NOT LESS THAN 13'-0" ABOVE GROUND LEVEL FOR PEDESTRIAN CLEARANCE AND 18'-0" FOR DRIVEWAY CLEARANCE.
- ⑦ WHEN INSTALLING ENTRANCE CABLE, A WATERTIGHT CONNECTOR SHALL BE USED AT THE TOP OF THE METER BASE, AND A NON-WATERTIGHT CONNECTOR SHALL BE USED AT THE BOTTOM OF THE METER BASE, FOR DRAINAGE. ENTRANCE CABLE CLAMPS SHALL BE NO MORE THAN 12" FROM BOTTOM OF WEATHERHEAD AND NO MORE THAN 12" FROM TOP OF METER BASE, REMAINING CLAMPS TO BE SPACED NO MORE THAN 30" APART.
- ⑧ THREE FEET IS THE MINIMUM CLEARANCE FOR SERVICE CONDUCTORS FROM WINDOWS, DOORS, PORCHES, FIRE ESCAPES, OR SIMILAR LOCATIONS. SEE NATIONAL ELECTRIC CODE 230-9.
- ⑨ ALL WIRING TO BE IN ACCORDANCE WITH THE NATIONAL ELECTRIC CODE.
- ⑩ MEMBERS CONDUCTOR TO MAIN BREAKER CAN NOT GO THRU BACK OF METER BASE.
- ⑪ FINAL CONNECT IS SUBJECT TO WIRING INSPECTION FROM LOCAL GOVERNMENTAL AUTHORITY'S WHERE REQUIRED.

SERVICE ENTRANCE WIRE SIZE TABLE
THREE-WIRE-SINGLE PHASE, RESIDENTIAL SERVICE
CONDUCTOR TYPES AND SIZES
RH-RHH-RHW-THW-THWN-THHN-XHHW

BARE COPPER GROUND WIRE	COPPER	ALUMINUM AND COPPER-CLAD AL.	SERVICE IN AMPERES
	AWG	AWG	
6	4	2	100
4	3/0	4/0	200

DETAIL "A" NOTES

- Ⓐ WIREHOLDER TO BE MOUNTED 1" BELOW THE TOP OF THE WEATHERHEAD (COOP. SUPPLIED)
- Ⓑ CLAMPS
- Ⓒ WATERTIGHT CONNECTOR
- Ⓓ FUSED DISCONNECT (IF REQUIRED)
- Ⓔ WEATHERHEAD
- Ⓕ GROUND CLAMP
- Ⓖ THE SERVICE GROUNDING CONDUCTOR (BARE COPPER WIRE) SHALL BE CONTINUOUS AND TIED TO THE NEUTRAL CONDUCTOR IN THE MAIN SERVICE PANEL, NOT IN OR ROUTED THROUGH THE METER BASE.
- Ⓕ DRIVEN GROUND ROD MAY BE: 5/8 INCH BY 8 FEET, COPPERCLAD ROD, OR 5/8 INCH BY 8 FEET, SOLID ROD, GALVANIZED, AND DRIVEN ROD SHALL BE A MINIMUM OF 2 FEET FROM FOUNDATION AND 1 FOOT BELOW GROUND LEVEL. GROUND ROD CLAMP SHALL CONNECT GROUND WIRE SECURELY TO GROUND ROD.
- Ⓖ DRIP LOOP
- Ⓖ METER BASE (MEMBER SUPPLIED)



DATE: 05/26/06

CHK BY: SWW

DWN BY: JME

SCALE: NA

NOTES:

OVERHEAD METER ON HOUSE
ENTRANCE CABLE

