

UNDERGROUND TEMPORARY SERVICE

DETAIL "A" NOTES

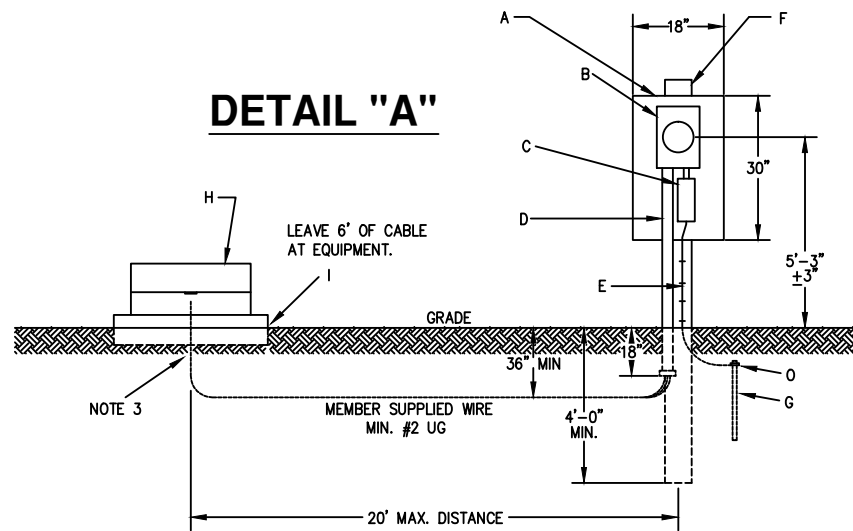
- | | |
|---|---|
| (A) 1/2" MIN. BOARD TREATED. | (E) GROUNDING ELECTRODE CONDUCTOR NO. 4 SEE NEC 250 J AND K |
| (B) METER SOCKET SEE NOTES 1 AND 4 | (F) 4"x4" TIMBER (NOMINAL) TREATED. SEE NOTE 2. |
| (C) SERVICE ENTRANCE EQUIPMENT SEE NOTE 5 | (G) 8'-0" (MIN) GROUND ELECTRODE (5/8" COPPER CLAD). SEE NEC ARTICLE 250-81, 83 AND 84. |
| (D) LINE CONDUIT. MIN. 2". SEE NOTE 7 | (H) LRE SECONDARY PEDISTAL OR PAD MOUNT TRANSFORMER |
| | (I) TRENCH TO EDGE OF COOPERATIVE'S EQUIPMENT |
| | (O) GROUND ROD CLAMP |

GENERAL NOTES

- ① MEMBER TO PROVIDE METER BASE FOR TEMPORARY SERVICE, DO NOT WIRE THRU BACK OF METER BASE. METER BASE TO BE SECURELY MOUNTED BY MEMBER IN A LEVEL POSITION. MEMBER TO FURNISH AND INSTALL CONDUIT AND ALL OTHER EQUIPMENT, INCLUDING SERVICE AND GROUNDING FACILITIES.
- ② THE POST TO BE INSTALLED AT A LOCATION TO BE DESIGNATED BY COOPERATIVE. THE POST SHALL NOT BE LOCATED IN LINE WITH THE PROPOSED PERMANENT UNDERGROUND SERVICE.
- ③ CONNECTION OF MEMBER CONDUCTORS TO COOPERATIVE FACILITIES SHALL BE THE RESPONSIBILITY OF COOPERATIVE.
- ④ ALUMINUM ELECTRICAL JOINT COMPOUND SHALL BE APPLIED TO ALL ALUMINUM CONDUCTORS BEFORE INSTALLING IN TERMINALS OF METER BASE. SEE
- ⑤ WEATHER-PROOF (OR COVERED) SERVICE ENTRANCE EQUIPMENT UL LISTED WITH FUSED DISCONNECT SWITCH OR CIRCUIT BREAKER.
- ⑥ COOPERATIVE TO DESIGNATE LOCATION OF TRENCH FOR SERVICE INSTALLATION. MEMBER WILL BE REQUIRED TO TRENCH AND BACKFILL.
- ⑦ LINE CONDUIT MAY BE GALVANIZED RIGID STEEL OR RIGID NONMETALLIC CONDUIT (PVC) LISTED FOR THE USE (SCHEDULE 80) EMT OR IMC SHALL NOT BE USED FOR LINE CONDUIT.
- ⑧ FINAL CONNECT IS SUBJECT TO WIRING INSPECTION FROM LOCAL GOVERNMENTAL AUTHORITY WHERE REQUIRED.

CALL: OHIO UTILITIES PROTECTION SERVICE
BEFORE YOU DIG. 1-800-362-2764

DETAIL "A"

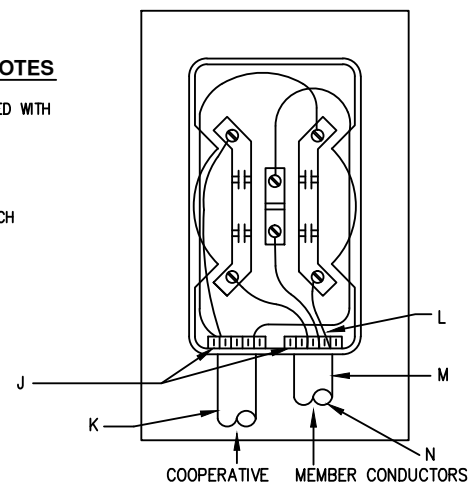


WIRING DETAIL

(MEMBER TO SUPPLY METER BASE)
FOR TEMPORARY SERVICE ONLY

WIRING DETAIL NOTES

- (J) INSULATED BUSHINGS USED WITH CONDUIT.
- (K) LINE CONDUIT
- (L) CONDUCTOR
- (M) CONDUIT NIPPLE TO SWITCH
- (N) LOAD CONDUIT



DATE: 09/20/05

CHK BY: SWW

DWN BY: JME

SCALE: NA

NOTES:

UNDERGROUND TEMPORARY
SERVICE INSTALLATION

