

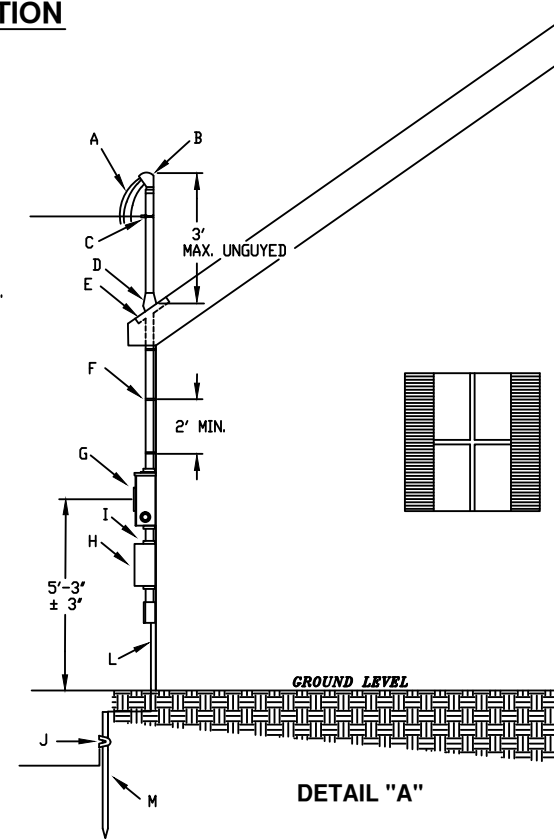
SINGLE PHASE, 120/240 VOLT, 3 WIRE SERVICE, 100 AMP. MINIMUM MAST SERVICE INSTALLATION

GENERAL NOTES

- ① THIS SERVICE MAST TO BE USED WHERE SERVICE ATTACHMENT ON BUILDING WOULD NOT PROVIDE PROPER CLEARANCES ABOVE GROUND FOR COOPERATIVE SERVICE LINE ATTACHMENT.
- ② SERVICE SHALL BE AT LEAST AT A HEIGHT TO PERMIT A MINIMUM CLEARANCE OF 13' FEET BETWEEN THE WEATHERHEAD AND FINAL GRADE. IT ALSO SHALL PROVIDE A MINIMUM CLEARANCE OF 18' FEET BETWEEN SERVICE DROP CONDUCTORS AND RESIDENTIAL DRIVEWAYS AREA ACCESSIBLE ONLY TO PEDESTRIANS AND 18' FEET MINIMUM CLEARANCE ABOVE ALLEYS AND PUBLIC ROADS.
- ③ COOPERATIVE WILL SUPPLY AND INSTALL SERVICE WIRES IN ACCORDANCE WITH THE LINE EXTENSION POLICY FROM POLE TO MAST, SERVICE WIRE ATTACHMENT AND ALL MATERIAL SUPPLIES BY COOPERATIVE REMAINS PROPERTY OF COOPERATIVE.
- ④ ALL SERVICE ENTRANCE EQUIPMENT TO BE SUPPLIED AND INSTALLED ON HOUSE BY MEMBER.
- ⑤ THE MAIN SERVICE FUSED DISCONNECTING SWITCH SHALL BE INSTALLED AT THE FIRST ACCESSIBLE POINT OF ENTRANCE INTO THE STRUCTURE. THE MAXIMUM FOOTAGE FROM THE POINT OF ENTRANCE SHALL BE 3' FOOT OR LESS.
- ⑥ MEMBER SHALL SUPPLY COOPERATIVE APPROVED METER BASE.
- ⑦ THE MEMBER WILL MOUNT METER BASE LEVEL AT THE MAXIMUM HEIGHT OF 5'-3" PLUS OR MINUS 3" TO CENTER OF METER BASE, ABOVE FINISHED GRADE. INSULATED BUSHINGS REQUIRED ON ALL CONDUIT ENDS AND SERVICE ENTRANCE CONNECTORS.
- ⑧ CONDUIT OR SERVICE ENTRANCE CABLE TO BE INSTALLED BY THE CONSUMER. CONDUIT AND FITTINGS ARE TO BE GALVANIZED RIGID STEEL.
- ⑨ RIGID GALVANIZED STEEL CONDUIT ONLY; SIZE AS REQUIRED BY SERVICE ENTRANCE CABLE. CONDUIT SHALL BE INSTALLED BETWEEN RAFTERS TO PREVENT MOVEMENT OF PIPE. RIGID CONDUIT MUST BE USED FROM TOP OF METER BASE UPWARD.
- ⑩ CONDUIT CLAMP, AS REQUIRED BY CONDUIT SIZE, 2' FEET MAXIMUM SPACING BETWEEN CLAMPS.
- ⑪ UPPER 10' FEET OF CONDUIT SHALL BE WITHOUT COUPLING. IF COUPLING IS REQUIRED FOR ADDITIONAL HEIGHT, PLACE BELOW ROOF LINE. ONE OF THE CONDUIT CLAMPS SHALL BE INSTALLED IMMEDIATELY BELOW THE COUPLING.
- ⑫ CONDUCTORS TO METER FURNISHED BY MEMBER AND TO EXTEND A MINIMUM OF 18" INCHES BEYOND WEATHERHEAD. (SEE NOTE A)
- ⑬ CONNECTION OF CUSTOMER'S CONDUCTORS TO COOPERATIVE SERVE DROP SHALL BE THE RESPONSIBILITY OF THE COOPERATIVE. FINAL CONNECT SUBJECT TO LOCAL GOVERNMENTAL AUTHORITY WHERE REQUIRED.
- ⑭ ALUMINUM ELECTRICAL JOINT COMPOUND SHALL BE APPLIED TO ALL ALUMINUM CONDUCTORS BEFORE INSTALLING IN TERMINALS OF METER BASE. AS PER N.E.C

SERVICE ENTRANCE WIRE SIZE TABLE
THREE-WIRE-SINGLE PHASE, RESIDENTIAL SERVICE
CONDUCTOR TYPES AND SIZES
RH-RHH-RHW-THW-THWN-THN-XHHW

BARE COPPER GROUND WIRE	COPPER AWG	ALUMINUM AND COPPER-CLAD AL. AWG	SERVICE IN AMPERES
6	4	2	100
4	3/0	4/0	200



DETAIL "A" NOTES

- (A) SERVICE CONDUCTOR (C)
- (B) WEATHERHEAD
- (C) WIRE HOLDER (C)
- (D) METAL FLASHING COLLAR
- (E) BLOCKING
- (F) CONDUIT CLAMP
- (G) METER BASE
- (H) DISCONNECT, SEE NOTE 5
- (I) CONDUIT OR CABLE
- (J) GROUND ROD CLAMP
- (L) THE SERVICE GROUNDING CONDUCTOR (BARE COPPER WIRE) SHALL BE CONTINUOUS AND TIED TO THE NEUTRAL CONDUCTOR IN THE MAIN SERVICE PANEL, NOT IN OR ROUTED THROUGH THE METER SOCKET. FOR DETAILED INFORMATION SEE SECTIONS 250-81, 83 AND 84 OF THE NATIONAL ELECTRICAL CODE.
- (M) DRIVEN GROUND ROD MAY BE: 5/8 INCH BY 8 FEET, COPPERCLAD ROD, OR 5/8 INCH BY 8 FEET, SOLID ROD, GALVANIZED, AND DRIVEN ROD SHALL BE A MINIMUM OF 2 FEET FROM FOUNDATION AND 1 FOOT BELOW GROUND LEVEL. GROUND ROD SHALL CONNECT GROUND WIRE SECURELY TO GROUND ROD.

(C) COOPERATIVE SUPPLIES

DATE: 05/26/06

CHK. BY: SWW

DWN. BY: JME

SCALE:

NOTES:

MAST SERVICE
INSTALLATION

