

UNDERGROUND SERVICE PEDESTAL INSTALLATION

120/240 VOLTS, THREE WIRE, 200 AMP. MINIMUM

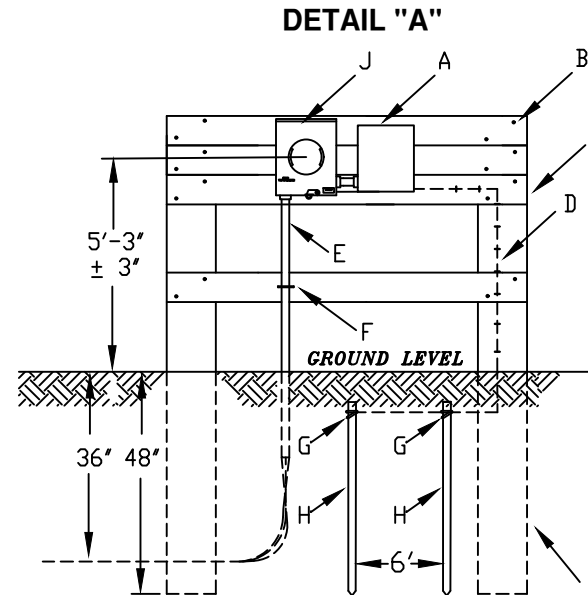
GENERAL NOTES

- ① LENGTH OF PLATFORM TO BE DETERMINED BY SIZE AND ARRANGEMENT OF MEMBERS EQUIPMENT.
- ② MEMBER IS RESPONSIBLE FOR PEDESTAL CONSTRUCTION.
- ③ MEMBER TO SUPPLY METER BASE.
- ④ COOPERATIVE SUPPLIED MATERIAL REMAINS PROPERTY OF COOPERATIVE.
- ⑤ ALL SERVICE ENTRANCE EQUIPMENT TO BE SUPPLIED AND INSTALLED ON PEDESTAL BY MEMBER.
- ⑥ COOPERATIVE WILL SUPPLY AND INSTALL SERVICE WIRE FROM ELECTRIC FACILITIES TO METER PEDESTAL ACCORDING TO THE LINE EXTENSION POLICY.
- ⑦ ALL WIRING TO BE IN ACCORDANCE WITH NATIONAL ELECTRIC CODE.
- ⑧ THE METER BASE MUST BE INSPECTED BY THE APPROPRIATE GOVERNMENTAL AUTHORITY, WHERE REQUIRED, BEFORE SERVICE IS CONNECTED.
- ⑨ DRIVEN GROUND RODS MAY BE: 5/8 INCH BY 8 FEET COPPERCLAD ROD, OR 5/8" INCH BY 8' FEET SOLID GALVANIZED ROD, 1' FOOT BELOW GROUND LEVEL MIN.
- ⑩ THE SERVICE GROUNDING CONDUCTOR (BARE COPPER WIRE) SHALL BE CONTINUOUS AND TIED TO THE NEUTRAL CONDUCTOR IN THE MAIN SERVICE PANEL, NOT IN OR ROUTED THROUGH THE METER BASE.
- ⑪ ALUMINUM ELECTRICAL JOINT COMPOUND SHALL BE APPLIED TO ALL ALUMINUM CONDUCTORS BEFORE INSTALLING IN TERMINALS OF METER BASE. AS PER N.E.C
- ⑫ MEMBER IS RESPONSIBLE FOR ALL TRENCHING AND BACKFILLING. TRENCHING TO BE PERPENDICULAR TO METER PEDESTAL, TRENCH SHOULD NOT BE DUG IN PARALLEL WITH POSTS.

SERVICE ENTRANCE WIRE SIZE TABLE
THREE-WIRE-SINGLE PHASE, RESIDENTIAL SERVICE
CONDUCTOR TYPES AND SIZES
RH-RHH-RHW-THW-THWN-THHN-XHHW

BARE COPPER GROUND WIRE	COPPER	ALUMINUM AND COPPER-CLAD AL.	SERVICE IN AMPERES
4	AWG 3/0	AWG 4/0	200

**CALL: OHIO UTILITIES PROTECTION SERVICE
BEFORE YOU DIG. 1-800-362-2764**

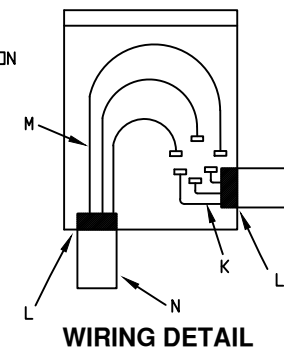


DETAIL "A" NOTES

- (A) WEATHER PROOF FUSED DISCONNECT SWITCH OR BREAKER PNAEL
- (B) 1/2" BOLTS
- (C) (4) 2X6 MIN. TREATED LUMBER
- (D) GROUND WIRE- STAPLED TO POST
- (E) CONDUIT (COOPERATIVE SUPPLIED)
- (F) CONDUIT STRAPS
- (G) GROUND CLAMP - 1' BELOW GRADE
- (H) 2 x GROUND ROD x 8 FEET DEEP. 6 FOOT SEPARATION
- (I) (2) 6"x6"x10' TREATED POSTS
- (J) METER BASE (DWNER SUPPLIED)

WIRING DETAIL

- (K) LOAD WIRES INSTALLED BY MEMBER
- (L) INSULATING BUSHINGS
- (M) WIRES FURNISHED AND INSTALLED BY THE COOPERATIVE
- (N) COOPERATIVE CONDUIT



DATE: 9/9/21

CHK BY: JEF

DWN BY: JME

SCALE:

NOTES:

UNDERGROUND SERVICE
PEDESTAL INSTALLATION

