

UNDERGROUND SERVICE PEDESTAL INSTALLATION

120/240 VOLTS, THREE WIRE, 200 AMP. MINIMUM

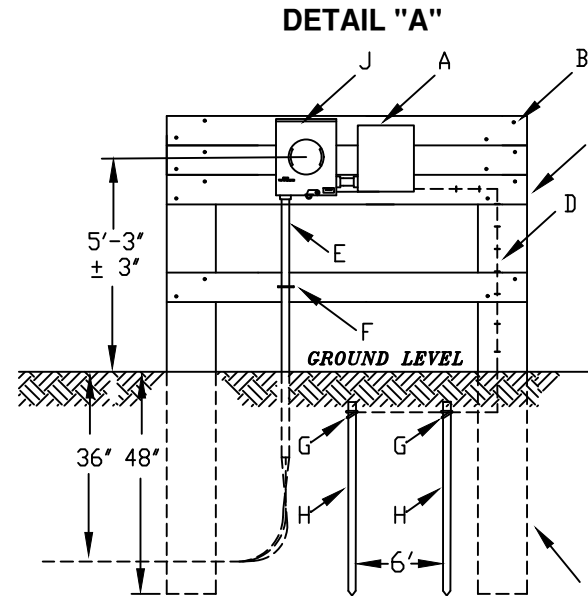
GENERAL NOTES

- ① LENGTH OF PLATFORM TO BE DETERMINED BY SIZE AND ARRANGEMENT OF MEMBERS EQUIPMENT.
- ② MEMBER IS RESPONSIBLE FOR PEDESTAL CONSTRUCTION.
- ③ MEMBER TO SUPPLY METER BASE.
- ④ COOPERATIVE SUPPLIED MATERIAL REMAINS PROPERTY OF COOPERATIVE.
- ⑤ ALL SERVICE ENTRANCE EQUIPMENT TO BE SUPPLIED AND INSTALLED ON PEDESTAL BY MEMBER.
- ⑥ COOPERATIVE WILL SUPPLY AND INSTALL SERVICE WIRE FROM ELECTRIC FACILITIES TO METER PEDESTAL ACCORDING TO THE LINE EXTENSION POLICY.
- ⑦ ALL WIRING TO BE IN ACCORDANCE WITH NATIONAL ELECTRIC CODE.
- ⑧ THE METER BASE MUST BE INSPECTED BY THE APPROPRIATE GOVERNMENTAL AUTHORITY, WHERE REQUIRED, BEFORE SERVICE IS CONNECTED.
- ⑨ DRIVEN GROUND RODS MAY BE: 5/8 INCH BY 8 FEET COPPERCLAD ROD, OR 5/8" INCH BY 8' FEET SOLID GALVANIZED ROD, 1' FOOT BELOW GROUND LEVEL MIN.
- ⑩ THE SERVICE GROUNDING CONDUCTOR (BARE COPPER WIRE) SHALL BE CONTINUOUS AND TIED TO THE NEUTRAL CONDUCTOR IN THE MAIN SERVICE PANEL, NOT IN OR ROUTED THROUGH THE METER BASE.
- ⑪ ALUMINUM ELECTRICAL JOINT COMPOUND SHALL BE APPLIED TO ALL ALUMINUM CONDUCTORS BEFORE INSTALLING IN TERMINALS OF METER BASE. AS PER N.E.C
- ⑫ IF DECIDED MEMBER IS RESPONSIBLE FOR ALL TRENCHING AND BACKFILLING, TRENCHING TO BE PERPENDICULAR TO METER PEDESTAL, TRENCH SHOULD NOT BE DUG IN PARALLEL WITH POSTS.

SERVICE ENTRANCE WIRE SIZE TABLE
THREE-WIRE-SINGLE PHASE, RESIDENTIAL SERVICE
CONDUCTOR TYPES AND SIZES
RH-RHH-RHW-THW-THWN-THHN-XHHW

BARE COPPER GROUND WIRE	COPPER	ALUMINUM AND COPPER-CLAD AL.	SERVICE IN AMPERES
4	AWG 3/0	AWG 4/0	200

**CALL: OHIO UTILITIES PROTECTION SERVICE
BEFORE YOU DIG. 1-800-362-2764**

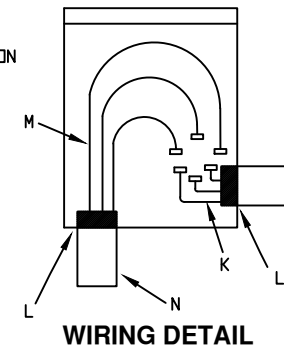


DETAIL "A" NOTES

- (A) WEATHER PROOF FUSED DISCONNECT SWITCH OR BREAKER PNAEL
- (B) 1/2" BOLTS
- (C) (4) 2X6 MIN. TREATED LUMBER
- (D) GROUND WIRE- STAPLED TO POST
- (E) CONDUIT (COOPERATIVE SUPPLIED)
- (F) CONDUIT STRAPS
- (G) GROUND CLAMP - 1' BELOW GRADE
- (H) 2 x GROUND ROD x 8 FEET DEEP. 6 FOOT SEPARATION
- (I) (2) 6"x6"x10' TREATED POSTS
- (J) METER BASE (DWNER SUPPLIED)

WIRING DETAIL

- (K) LOAD WIRES INSTALLED BY MEMBER
- (L) INSULATING BUSHINGS
- (M) WIRES FURNISHED AND INSTALLED BY THE COOPERATIVE
- (N) COOPERATIVE CONDUIT



DATE: 7/12/22

CHK BY: JEF

DWN BY: JME

SCALE:

NOTES:

UNDERGROUND SERVICE
PEDESTAL INSTALLATION

